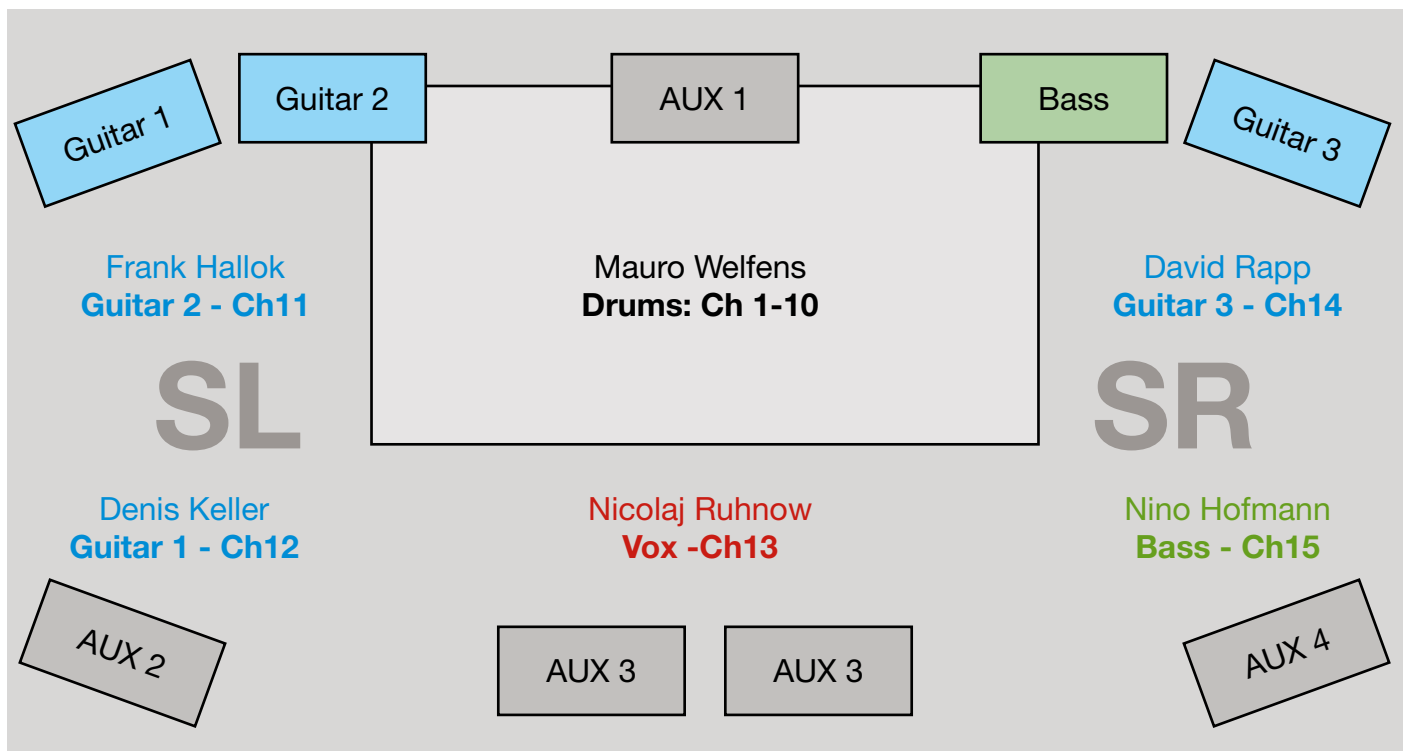


# MOJO BLIZZARD

## TECHNICAL RIDER

Kontakt@mojo-blizzard.com | +49 (0)176 579 66 162  
Rastatter Strasse 12 | 77836 Rheinmünster (Germany)

### Stage-Set-Up / Mixing-Desk-Channels



Channel (Instrument)	Mic	Insert	AUX Channel
01 Kick	Beta 52	Gate	AUX-Channel 1
02 Snare (top)	SM 57	Comp	
03 Snare (bottom)	SM 57	Comp	
04 HiHat 14"	SM 57		
05 TomTom 10"	Beta 98	Gate	
06 TomTom 12"	Beta 98	Gate	
07 FloorTom 18"	Beta 98	Gate	
08 Ride SM 57			
09 Overhead (OH)		Cond	
10 Overhead (OH)		Cond	
11 Frank Hallok (Guitar II)	SM 57		AUX-Channel 2
12 Denis Keller (Guitar I)	SM 57		AUX-Channel 2
13 Nicolaj Ruhnow (Lead Vox)	SM 58/Beta58	Comp/Delay	AUX-Channel 3
14 David Rapp (Guitar III)	SM 57		AUX-Channel 4
15 Nino Hofmann (Bass -BVox))	SM 57/SM 58		AUX-Channel 4

# MOJO BLIZZARD

## TECHNICAL RIDER

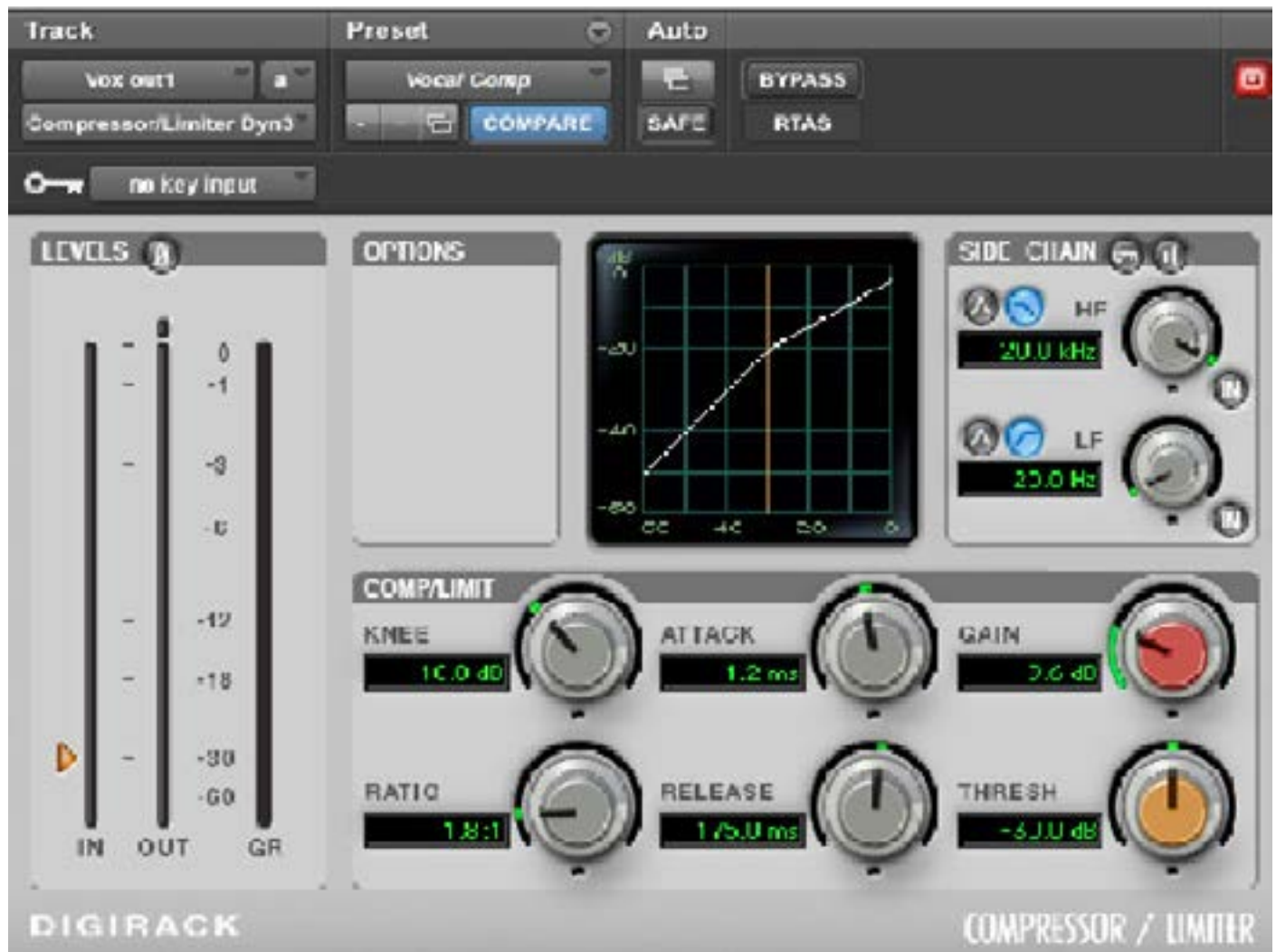
Kontakt@mojo-blizzard.com | +49 (0)176 579 66 162  
Rastatter Strasse 12 | 77836 Rheinmünster (Germany)

### Lead-Vocals-Effects (Channel 13)

#### Delay-Effekt:

- Long Delay (Mono): 666,6ms, 12-18% (max) in the mix, depends on the venue size
- must be muted between the songs

#### Compressor:



### Backing-Vocals-Effects (Channel 15)

Chorus-Effect plus Reverb-Effect (Compressor/Limiter same as Lead Vocals),  
details shall be arranged during Soundcheck

# MOJO BLIZZARD

## TECHNICAL RIDER

Kontakt@mojo-blizzard.com | +49 (0)176 579 66 162  
Rastatter Strasse 12 | 77836 Rheinmünster (Germany)

---

### Tech-Details

---

#### P.A.:

- Clair Brothers, Martin, EAW, Adamson or comparable
- 110dB shall be able to played back without any distortion
- The whole PA-System shall be set up until the crew loads in.

#### InEar-Monitoring Lead Vocals (if available):

- Sennheiser, Shure or comparable
  - 2 Channels minimum plus peak-limiter
- 

### Venue-Details

---

#### Venue Address: .....

Name:

Street:

ZIP Code:

Country:

#### Person In Charge: .....

Name:

Phone/Mobile:

Email:

#### Arranged Salary (EUR): .....

(must be paid before the Show)

#### Door Deal: .....

(must be paid after the Show)

#### Parking:

- One Minibus/Van
- as close as possible to the venue for LOAD IN
- Please fill in time of day.

Load in:

Soundcheck:

Dinner:

Showtime:

Curfew:

#### Merchandise:

- two tables needed, powerplug & lights
- placed near to the doorway or another easy accessible place

### Agreement

---

**Venue/Host:**

Date:

Signature:

**Band:**

Date:

Signature: